



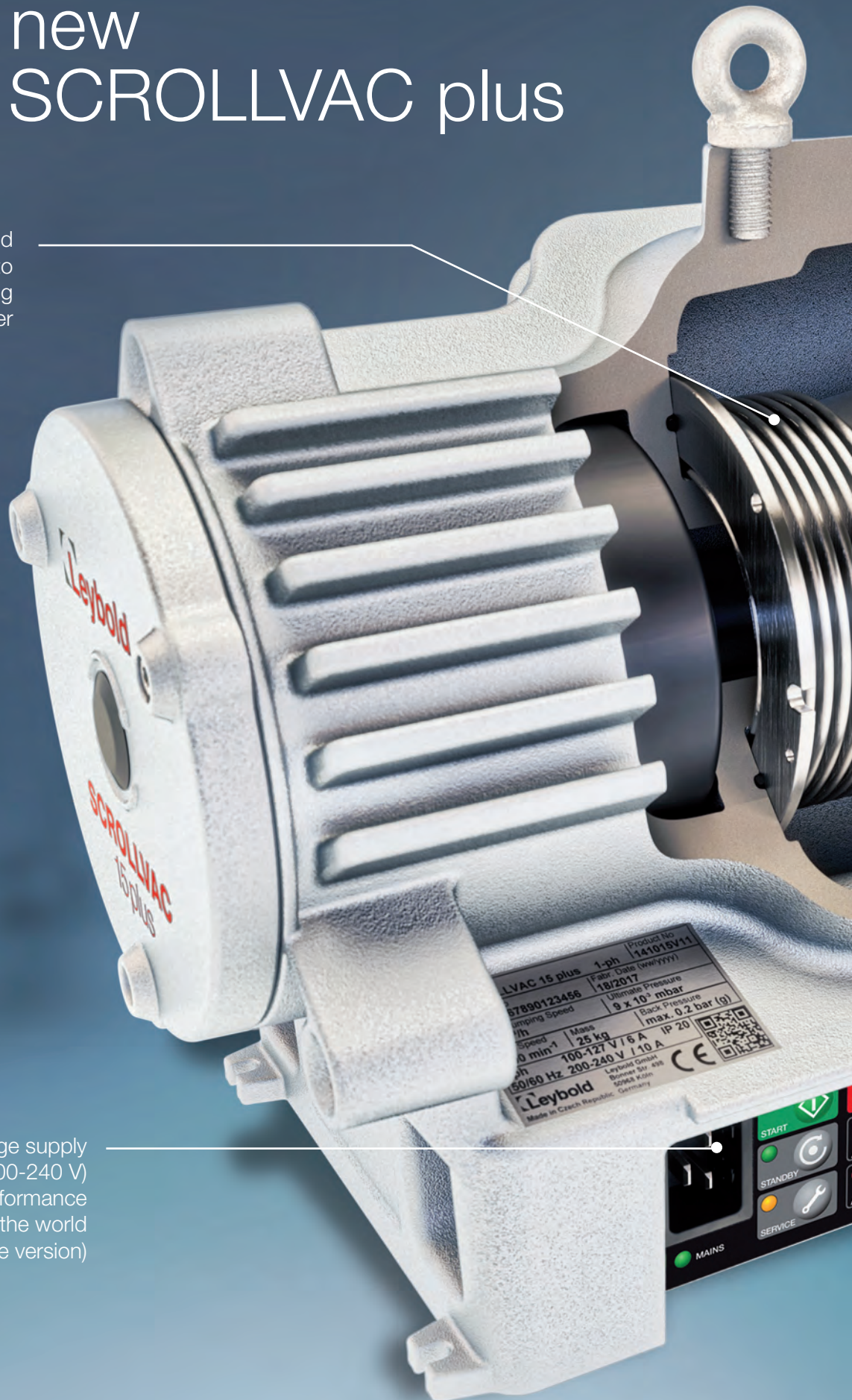
SCROLLVAC plus

Defining Vacuum



The new SCROLLVAC plus

No oil contamination and
higher robustness due to
hermetic sealing of rotating
parts from pumping chamber



Universal voltage supply
(100-127 V, 200-240 V)
for constant performance
everywhere in the world
(single-phase version)



DN 25 ISO-KF Inlet

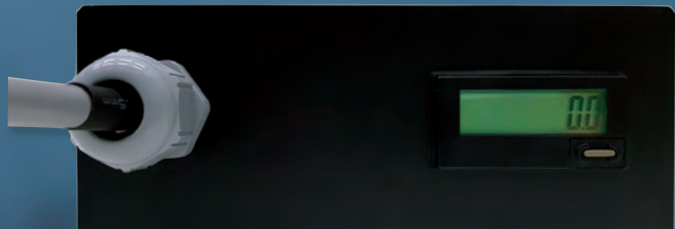
Gas ballast switch
(option: can be blanked off
or exchanged by purge gas
connector)

Quiet air cooling

DN 25 ISO-KF exhaust
with integrated suckback valve

Control panel for convenient access
to pump functions with integrated
hours counter and remote control
interface (single-phase version)

3-phase model available (without integrated
frequency converter)



Defining Vacuum –

The new SCROLLVAC plus vacuum pump is the latest addition to our range of dry pumps. Providing a flexible, robust and simple vacuum pump solution, across a wide spectrum of applications, SCROLLVAC plus demonstrates what is possible from a dry scroll pump.



Able to address the widest range of applications ...

Flexible.

We understand flexibility and choice is essential when selecting the right dry vacuum solution for your application. With single-phase and three-phase variants and versions for specialized applications, you can be sure to find a member of the SCROLLVAC plus family perfect for you.

- Pump versions in the range covering pumping speeds of 7, 10, 15 and 18 m³/h
- Single-phase variant feature universal voltage drive for constant performance world-wide
- Three-phase electronic-free variants for radiation and high magnetic field applications
- Integrated gas ballast permits pumping of condensable vapors
- Compact and lightweight design permits simple integration into your new or existing vacuum system

Ready to withstand and overcome demanding conditions ...

Robust.

SCROLLVAC plus was built to maintain performance and reliability in the most demanding applications. With the bearings completely separated from the pumping mechanism, you are assured of zero contamination within the vacuum envelope along with exceptional vapor handling.

- Truly dry vacuum pump with pump bearings isolated from the vacuum space eliminating any risk of contamination
- No shaft seal to wear and hence longer service intervals and improved leak tightness
- The ideal dry pump solution for backing turbomolecular and cryo pumps
- Optional C variant may be used for some applications involving the pumping of aggressive media and chemicals

SCROLLVAC plus, the new dry scroll



The pumping principle

A Scroll pump consists of two engaged spiral forms. One scroll form is mounted eccentrically to the other and is made to move in an orbiting path relative to the fixed scroll. This creates crescent shaped volumes that are driven from the outside to the inside of the forms thereby pumping the gas.

Easy to understand and uncomplicated ...

Simple.

Not only the service and tip seal change is easy and quick, the long service intervals mean that SCROLLVAC plus can become the “fit and forget” solution.

- Latest in tip seal technology giving significantly longer periods between tip seal changes, typically 2.5 years, to maximize up-time and productivity
- Easy maintenance with a typical tip-seal change in under 10 minutes by yourself
- Running time hours-counter included as standard

Economize by switching to the latest technology ...

Environment.

Think the environment is too big for you to make an impact? We are always looking at how we can reduce the impact on the environment, and selecting the latest SCROLLVAC plus can make an immediate improvement on your local workspace.

- No contaminated waste oil to dispose of, eliminating the need for costly disposal and used oil recycling
- Low noise at < 55 dB(A) for a quiet work/laboratory environment
- Reduced power consumption compared to other pumping mechanisms

pump from Leybold.



Reliable products and application expertise ...
the Leybold guarantee at any time!

Universal.

Designed to perform across a wide spectrum of applications, from general laboratory, light industrial and research through to the more aggressive of chemical applications, SCROLLVAC plus makes selecting the right dry vacuum pump easy.

Physical Research

- Dry-compression pump – zero risk of system contamination
- Excellent ultimate pressure for turbomolecular pumps
- High water vapor capacity for cryo-pump regeneration
- Low noise for a quiet working environment
- Electronic-free 3-phase pump for areas with radiation
- Long maintenance intervals and simple end-user serviceable

Industry

- Robust pump with high vapor capacity for industrial applications including vacuum ovens, degassing, sterilization. Also suitable for cyclic duties
- No exposed bearings and no shaft seals, therefore reliable operation in numerous industrial applications
- Wide range of pumping performance options for all requirements

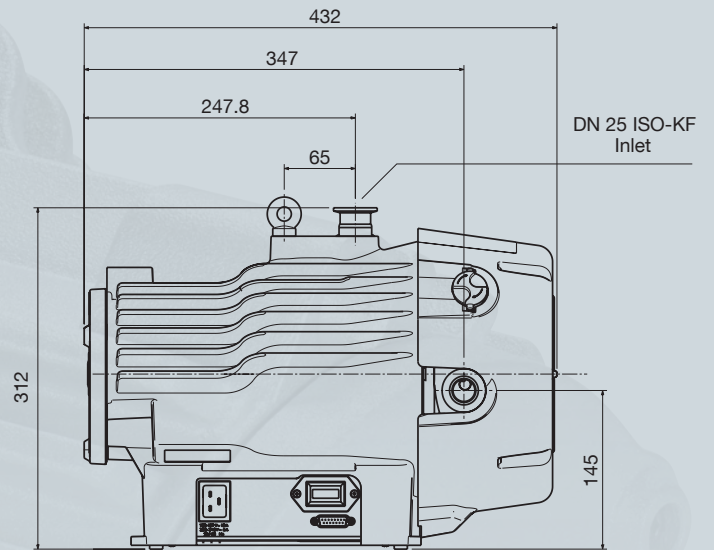
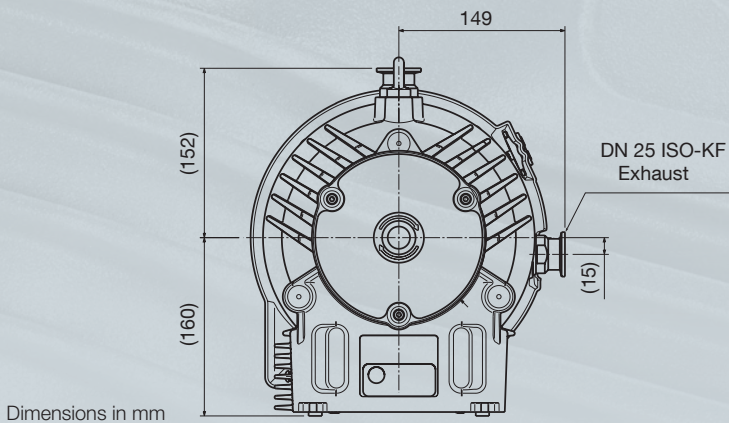
Wet Chemistry

- Quiet and reliable operation for use in biological and wet chemistry laboratories
- High water vapor capacity for applications such as gel drying, centrifugal concentrators, rotary evaporators and solvent recovery
- Hermetic separation of pumping chamber and rotating parts, therefore no reaction of pumped gases with lubricant
- C versions available for more aggressive gases

Gas Recovery

- High leak tightness assures no gas contamination or loss in gas recovery applications
- Excellent Helium pumping performance

Dimensions



C versions are ready to withstand harsh conditions.

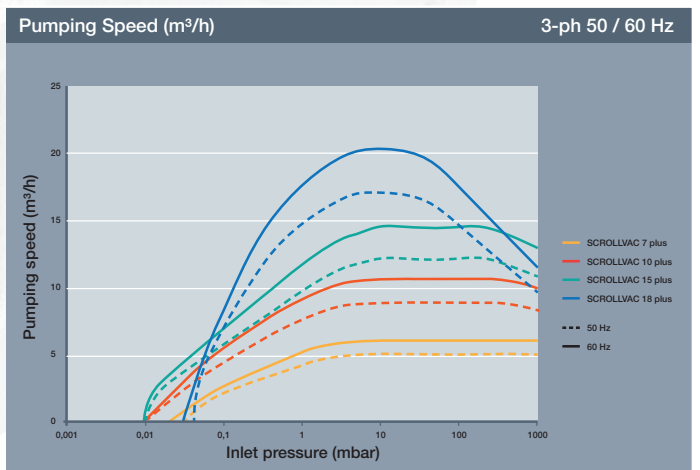
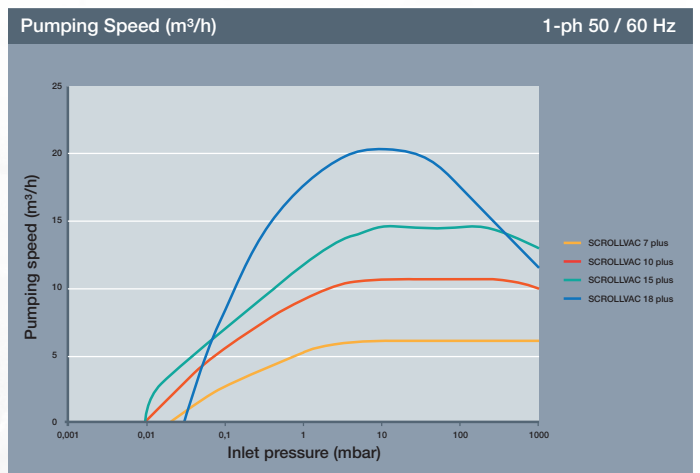
SCROLLVAC C plus

SCROLLVAC C plus variant has been designed for more aggressive applications, where potential deterioration of the internal parts due to corrosion needs to be considered. In combination with suitable purge gas flows, this means that SCROLLVAC C plus models can be configured to handle corrosive solvents and chemicals:

- Chemical resistant exhaust check valve and gas ballast valve
- Stainless steel inlet and exhaust flanges
- Conversion kits are available allowing customers to upgrade their standard variants

Please contact us for advice.

Performance



Technical Data

Ordering information

SCROLLVAC			7 plus	10 plus	15 plus	18 plus
Max. pumping speed	m ³ /h		6.1	10.6	14.5	20.0
Ultimate pressure with closed gas ballast	mbar		0.02	0.009	0.009	0.03
Water vapor capacity with gas ballast	g/h		100	140	280	220
Mains voltage	single phase motor	V	100-127, 200-240 (± 10%), 50/60 Hz			
	three-phase motor	V	200/380-415, 200-230/460, 50/60 Hz			
Power consumption at ultimate pressure	W		260	280	300	260
Mains connector	single phase motor		IEC EN60320 C19			
Noise level	dB(A)		< 55			
Inlet flange / Exhaust flange			DN 25 ISO-KF / DN 25 ISO-KF			
Weight	kg		26	25	26	25
Dimensions (W x H x D)	mm		432 x 312 x 298			

Ordering information*

SCROLLVAC	7 plus	10 plus	15 plus	18 plus
Scroll vacuum pump, with single phase motor				
Standard version, with gas ballast	141007V10	141010V10	141015V10	141018V10
C version for aggressive applications, with gas ballast	-	-	141015V12	141018V12
Scroll vacuum pump, with 3-phase motor				
Standard version, with gas ballast	-	141010V30	141015V30	141018V30
C version for aggressive applications, with gas ballast	-	141010V32	141015V32	141018V32
Mains cables (mandatory, required for operation)				
EU - CEE 7/7 (Schuko) - IEC-60320 C19, 2.0 m length			161 810 EU	
UK - BS 1363 - IEC-60320 C19, 2.0 m length			161 810 UK	
USA (115 V) - NEMA 5-15P - IEC-60320 C19, 2 m length			161 810 US	
USA (230 V) - NEMA 6-15P - IEC-60320 C19, 2.5 m length			141 103 US	
Accessories				
Gas ballast adapter blank			141100A01	
Purge gas adapter for external gas line				
	with fine restriction (quick connect 1/4")		141100A03	
	no restriction (quick connect 1/4")		141100A02	
Chemical resistance conversion kit (C-conversion KIT)	141101A01	141101A01	141101A01	141101A02
Vibration isolators			141102A01	
SC plus exhaust silencer			141102A02	

* Selection from the product range. Further model versions or accessories on request. Visit our webshop www.leyboldproducts.com

Please contact us for more technical details on the entire SCROLLVAC plus series.

ATEX certified

All SCROLLVAC plus dry pumps are ATEX certified to meet the requirements of group II category 3 equipment: ATEX II 3 G c IIB T4 internal

Leybold

Leybold GmbH
 Bonner Str. 498 · D-50968 Köln
 T +49 (0) 221-347-0
 F +49 (0) 221-347-1250
 info@leybold.com
www.leybold.com

