

SOGEVAC
SV 470 B(F)
SV 570 B(F)

Single-stage, oil-sealed
Rotary Vane Vacuum Pumps



SOGEVAC Rotary Vane Vacuum Pumps

SV470 B(F) and SV570 B(F)



SOGEVAC SV570 B

Advantages of the SOGEVAC SV470 B(F) and SV570 B(F) single-stage rotary vane vacuum pumps:

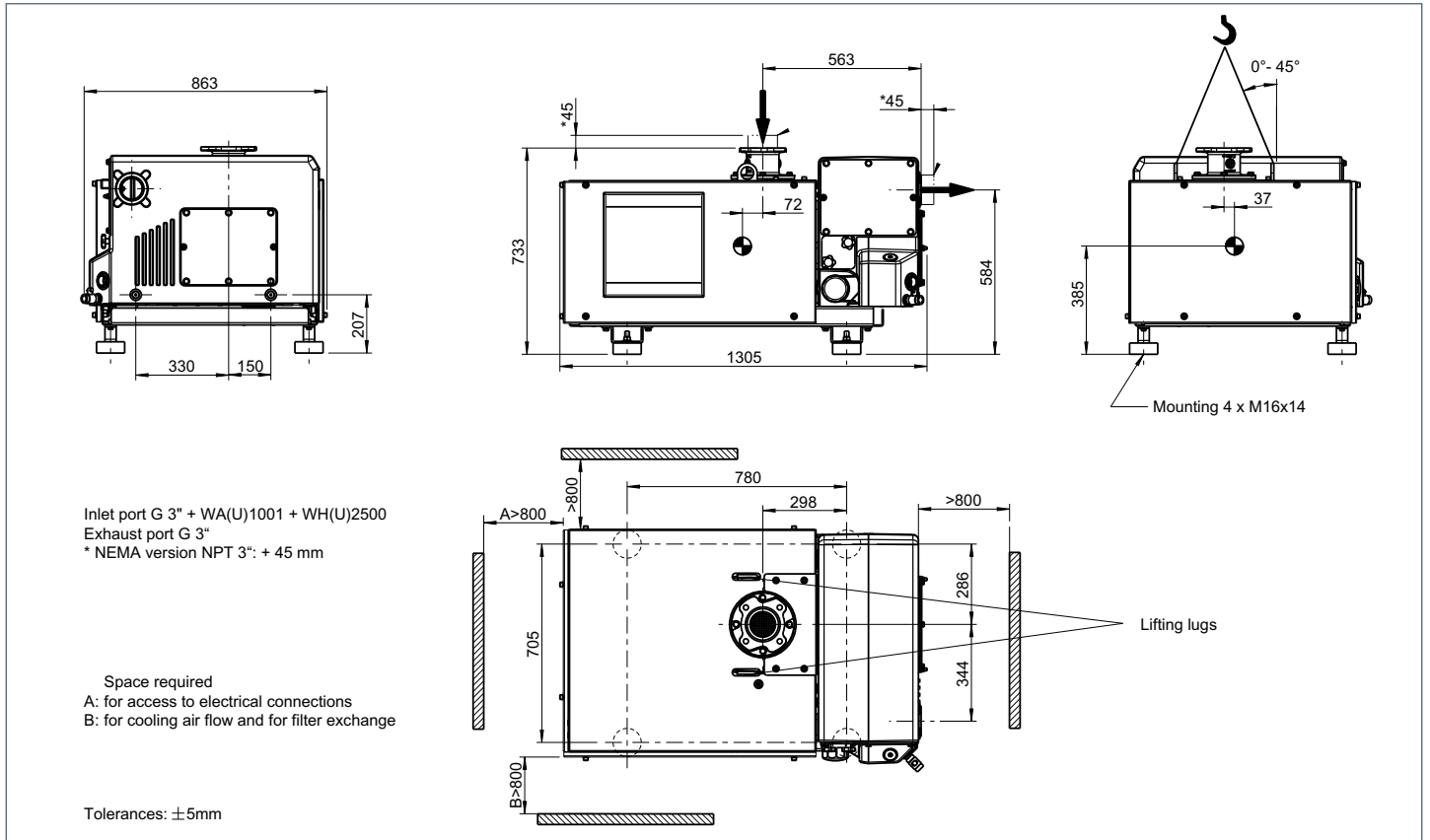
- very low rotational speed increases the lifetime of the pump and leads to noise level reduction
- extremely low noise level in any working conditions
- reduced number of oil pipes
- reduced operational costs: long lifetime of oil and exhaust filters
- simplified maintenance thanks to an easy access to all key components
- small size
- air or water-cooling and many motors and options available
- competitive price-to-performance ratio
- adapters for direct mounting of Roots pumps (RUVAC WH 700 to RUVAC WH 2500)
- ATEX IIC T3 Cat. 3 version internal/external possible
- PFPE versions available

Ordering Information Accessories

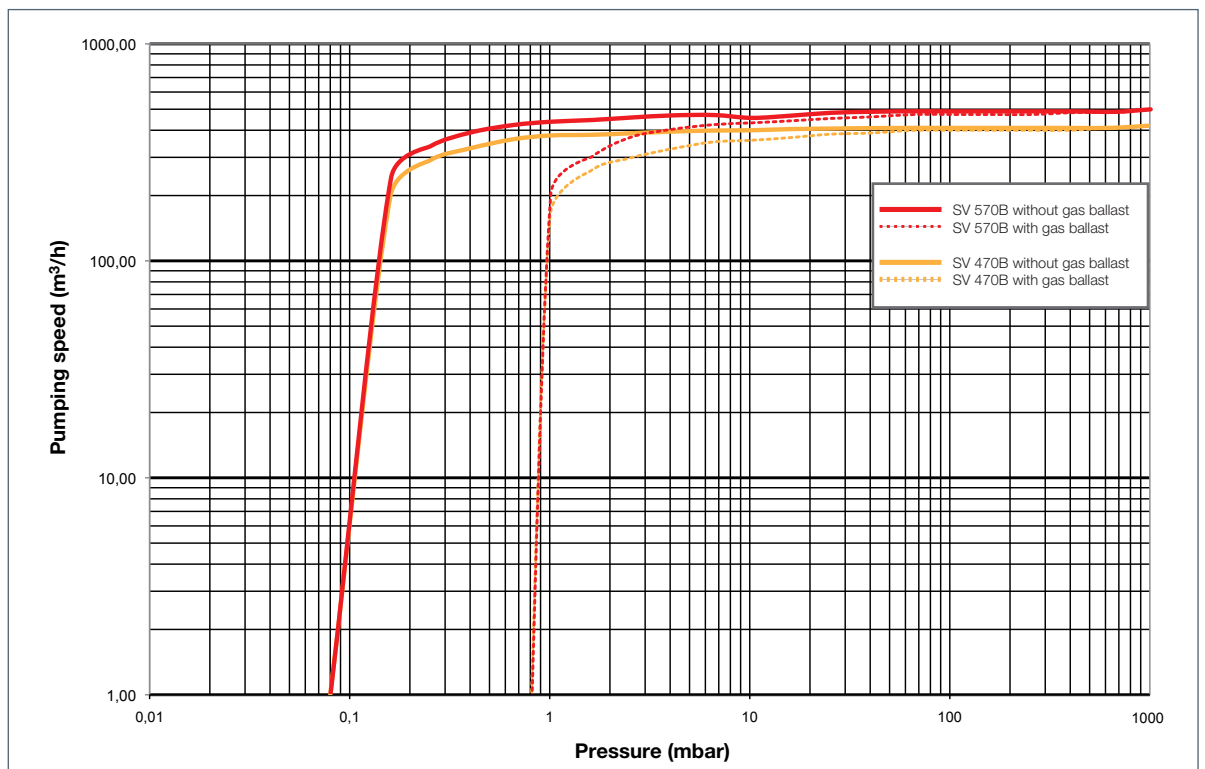
Cat. No.	Type / Description
711 30 114	Oil drain valve for SV470 B/SV570 B (Standard with all versions)
9516 231V	Gas ballast kit, electromagnetic, 24 V DC for SV470 B/SV570 B (Standard with BF versions)
9516 232V	Gas ballast standard, manual for SV470 BF/SV570 BF (Standard with SV470 B/SV570 B versions)
9516 234V	2nd. gas ballast valve, 24 V DC for SV470 BF/SV570 BF
9516 235V	2nd. gas ballast valve, manual for SV470 B/SV570 B
951 94	Exhaust filter monitoring gauge
9516 252V	Oil level switch
712 36 390	Oil filter bypass
712 22 360	Exhaust filter overpressure switch

SOGEVAC Rotary Vane Vacuum Pumps

SV470 B(F) and SV570 B(F)



Dimensional drawing of the SOGEVAC SV 470 B and SV 570 B with air cooling



Pumping speed characteristics of the SOGEVAC SV 470 B and SV 570 B at 50 Hz operation

Technical Data

Ordering Information

SOGEVAC rotary vane vacuum pumps		SV470 B(F)	SV470 B(F)	SV570 B(F)	SV570 B(F)	
		50 Hz		60 Hz		
Nominal speed	m ³ ·h ⁻¹ (cfm)	470 (277)		570 (335)		
Pumping speed (according to PNEUROP)	m ³ ·h ⁻¹ (cfm)	400 (236)		470 (277)		
Ultimate partial pressure without gas ballast	mbar (Torr)	≤ 8·10 ⁻² (≤ 0.06)				
Ultimate total pressure with standard gas ballast	mbar (Torr)	≤ 0.7		≤ 0.5		
Ultimate total pressure with two gas ballast valves	mbar (Torr)	≤ 2.0		≤ 1.5		
Cooling		air water (BF versions)				
Motor power	kW (hp)	9.2 (12.5)		13.2 (18)		
Noise level	dB(A)	72		75		
Oil filling (min / max)	l	20 / 23				
Oil type		mineral oil LVO 130				
Net weight (with oil filling)	kg (lb)	480 (1058)		550 (1212)		
Ordering Information		Cat. No.	SV470 B	SV470 BF	SV570 B	SV570 BF
Version Europe, 400V 50 Hz						
220 / 380 V ±10%, 50 Hz, 230 / 400 V ±10%, 50 Hz			960753V	960757V	–	–
240 / 415 V ±10%, 50 Hz, 9,2 kW						
440 V ±10%, 60 Hz, 460 V ±10%, 60 Hz, 10.5 kW						
Version Europe, 400V 50 Hz						
380 / 660 V ± 10%, 50 Hz, 400 / 690 V ± 10%, 50 Hz			–	–	960765V	960767V
415 V ± 10%, 50 Hz, 11 kW						
Version Wide						
200 V, 220 V, 230 V, 380 V, 400 V, 50 and 60 Hz						
240 V, 415 V, 50 Hz, 460 V, 60 Hz			960754V	960758V	960766V	960768V
tolerance range +/-10 % except 200 V +10 % - 15 %						
11 kW at 50 Hz, 13,2 kW at 60 Hz						
Version NEMA Premium						
400 V ±10%, 50 Hz, 11 kW (15 hp)						
200 - 230 V±10%, 60 Hz			–	–	960755V	960759V
460 V ±10%, 60 Hz						
11 kW (15 hp) with terminal board						

For detailed information on our full scope of SOGEVAC pumps, please refer to our general catalog. Visit our webshop www.leyboldproducts.com.

Please contact us for more technical details on the entire SOGEVAC series.

Leybold

Leybold GmbH
Bonner Str. 498 · D-50968 Köln
T +49 (0) 221-347-0
F +49 (0) 221-347-1250
info@leybold.com

www.leybold.com

Leybold France S.A.S.
Parc du Technopolis, Bâtiment Beta
3, Avenue du Canada · F-91940 Les Ulis
T +33 (0)1 69 82 48 00
F +33 (0)1 69 07 57 38
sales.ctb@leybold.com

