

SOGEVAC **Accessories** TwinFilter 500

Double inlet filter and roots adapter combination for SOGEVAC models SV470 B(F) and SV570 B(F)



TwinFilter 500
meets your requirements:

- ✓ Protects your roughing pump against dust and particles
- ✓ Allows a compact Roots/Roughing pump combination
- ✓ Cost-effective and most compact
- ✓ Frameless solution

TwinFilter 500

SOGEVAC double inlet filter and Roots pump adapter



The TwinFilter 500 is the right product for your demands if ...

... you have processes with dust & particles and problems to protect the roughing pump?

... you need a compact Roots & roughing pump combination with a filter?

... you want a very cost effective and most compact Roots & roughing pump combination w/o frame?

TwinFilter will start with 500 m³/h size first.

TwinFilter 500

Advantages

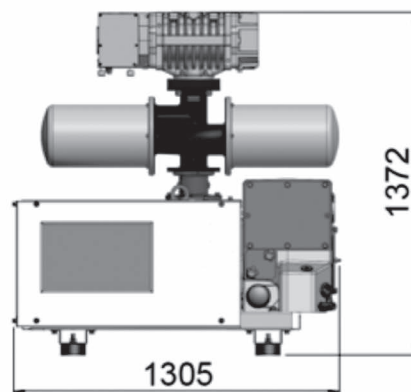
Suitable for SOGEVAC SV470 B(F) and SV570 B(F) single-stage rotary vane vacuum pumps:

- No external frame required:
costs and space savings
- Very compact combinations:
space savings yet roughing pump protection
- Allows to have two different protection filters in series:
more efficient filtration and longer filter lifetime
- No elbows, bellows, adapters required for filter mounting:
cost savings and easy installation

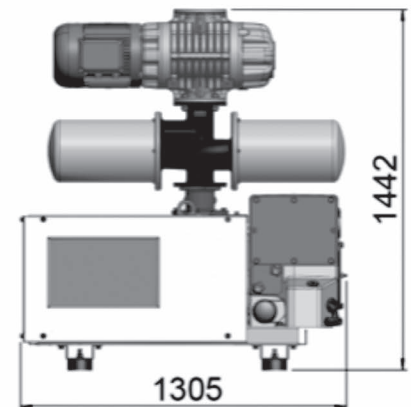
Mounting possibilities

Most compact double inlet filter / roots pump adapter combination:

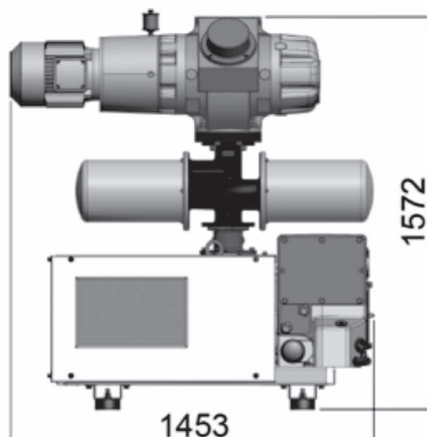
RUVAC WH 700/702



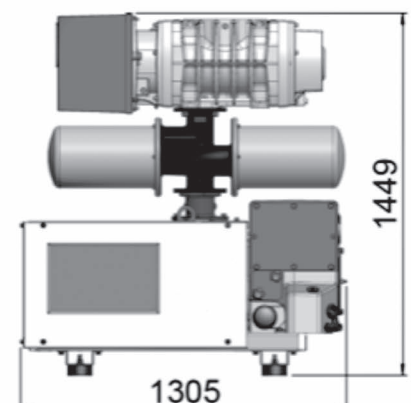
RUVAC WA(U) / WS(U) 1001



RUVAC WA(U) / WS (U) 2001



RUVAC WH(U) 2500



Compact and cost-effective solution

Filter cartridge selector

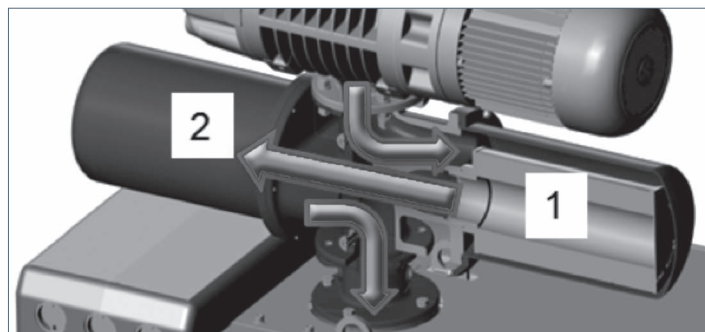
Application / Process	Filter insert material				
	Active charcoal	Metal 0.09 mm	Polyester 25 µm	Polyester 2 µm	Paper 2 µm
Dry process: dust, powders, chips etc.)			1		2
Wet (vapor) process: dust, powders, chips etc.)			1	2	
Heavy particles, plastics, glass, packaging materials, food stuff, etc		1		2	
Vapors of high molecular weight (solvents, resin and acid vapors, alkaline solutions etc.)	1			2	

1 = Filter no. 1
2 = Filter no. 2

Gas flow

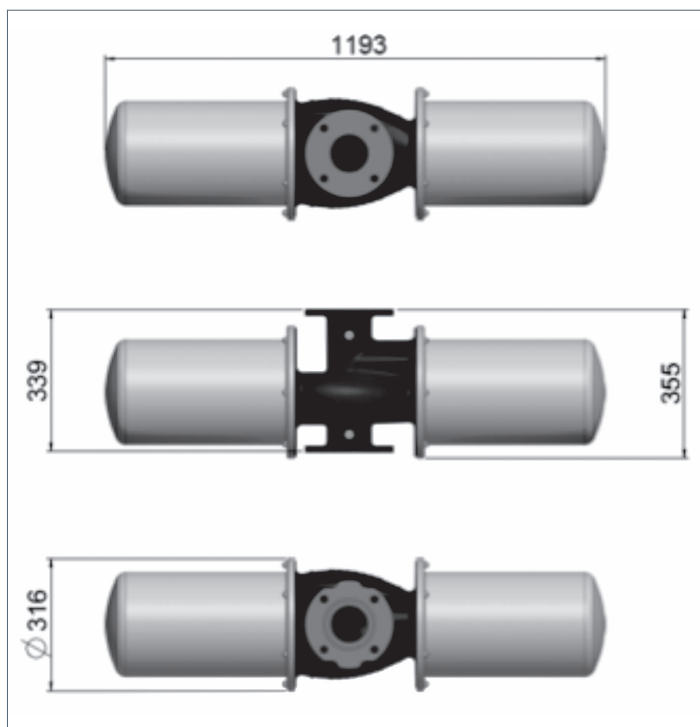
Two filters connected in series:

The gas passes through filter (1) at first, passes filter (2) and finally enters the roughing pump.



Technical data

Dimensions (in mm):



Net weight max. 82 kg (181 lbs)

Filter cover weight < 10 kg (22 lbs)

Filter weight < 10 kg (22 lbs)

Material: Cast iron, steel and filter material

TwinFilter 500 efficiency

Ordering information

Most efficient solution:

Pumping speed loss with TwinFilter 500	Filter insert material				
	Active charcoal	Metal 0.09 mm	Polyester 25 µm	Polyester 2 µm	Paper 2 µm
100 mbar approx.	< 1%	< 1%	< 1%	< 1%	< 1%
10 mbar approx.	< 7%	< 1%	< 1%	< 1%	< 1%
1 mbar approx.	< 33%	< 3%	< 4%	< 6%	< 13%

Pumping speed loss of each filter adds up for the total loss.

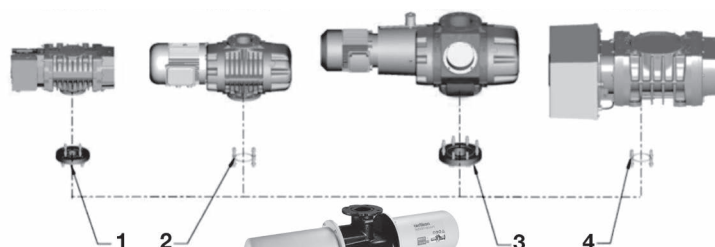
Efficiency for 5 µm particles				> 99%	> 99%
Efficiency for 2 µm particle				> 98%	> 98%

Ordering information:

TwinFilter 500 for SOGEVAC models SV470 B(F) and SV570 B(F):

Cat.No.	Filter insert material				
	Active charcoal	Metal 0.09 mm	Polyester 25 µm	Polyester 2 µm	Paper 2 µm
9516248CAPO	X			X	
9516248MAPO		X		X	
9516248PAPO				X	X
9516248PP			X	X	
9516248V (w/o filter insert)					
Spare inlet filter inserts	EK95162CA	EK95162MA	EK95162PO25	EK95162PO2	EK95162PA

Roots pump adapter:



Roots pump model	Cat.No.				
1 RUVAC WH 700	9516241V				
2 RUVAC WA(U) 1001		9516242V			
3 RUVAC WA(U) 2001			9516243V		
4 RUVAC WH(U) 2500					9516244V



Leybold GmbH
 Bonner Str. 498 · D-50968 Köln
 T +49 (0) 221-347-0
 F +49 (0) 221-347-1250
 info@leybold.com
www.leybold.com

Leybold France S.A.S.
 Parc du Technopolis, Bâtiment Beta
 3, Avenue du Canada · F-91940 Les Ulis
 T +33 (0)1 69 82 48 00
 F +33 (0)1 69 07 57 38
 sales.ctb@leybold.com

